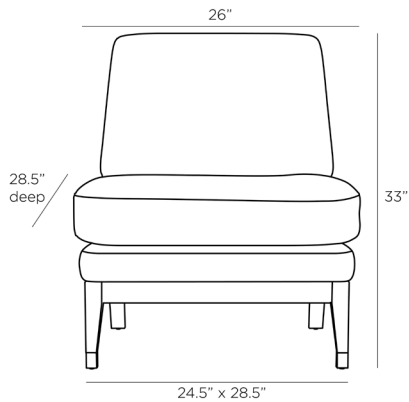


# ARTERIOS

## SAWYER CHAIR CIDER VELVET DARK WALNUT



8173

H: 33 IN, W: 26 IN, D: 28.5 IN

Cider Velvet

Contract Recommendations: Adding a lacquer coating provides additional protection

Distinction is in the details. A masculine take on the classic slipper chair, the Sawyer is constructed with a tapered back and a structured cushion that fits perfectly into its slotted frame like a puzzle piece. The chair, in cider velvet, sits on a dark walnut frame with tapered legs. Sophisticated and ideally sized, the seat makes a handsome addition to any space.

### APPEARANCE

Material	Velvet, Wood
Finish	Cider, Dark Walnut
Top Coat/Sealant	false

### DIMENSIONS

Foot Print	W: 28.5 IN, D: 24.5 IN
Leg Height	8 IN
Seat Back Height	16 IN
Seat	W: 26 IN, D: 21 IN
Seat Height	17.5 IN
Seat	W: 26 IN, D: 21 IN
Yardage To Reupholster	3.25

### SHIPPING

Shipping Requirements	TruckShip
Product Weight	31.5 LBS
Gross Weight 1	66.15 LBS
Shipping Box 1	H: 33 IN, L: 26 IN, W: 28.5 IN

### ADDITIONAL INFO

Leg Or Foot Application	Glides
Fabric Compliance	NFPA-260, TB117-2013
Fabric Cleaning Code	S - DRY CLEAN ONLY
Fabric Content	82% POLYESTER, 18% COTTON
Fabric Rub Count	100,000
Foam Compliance	TB117-2013, NFPA-260

### CONTRACT

Contract Suitable	Adding a lacquer coating provides additional protection
-------------------	---